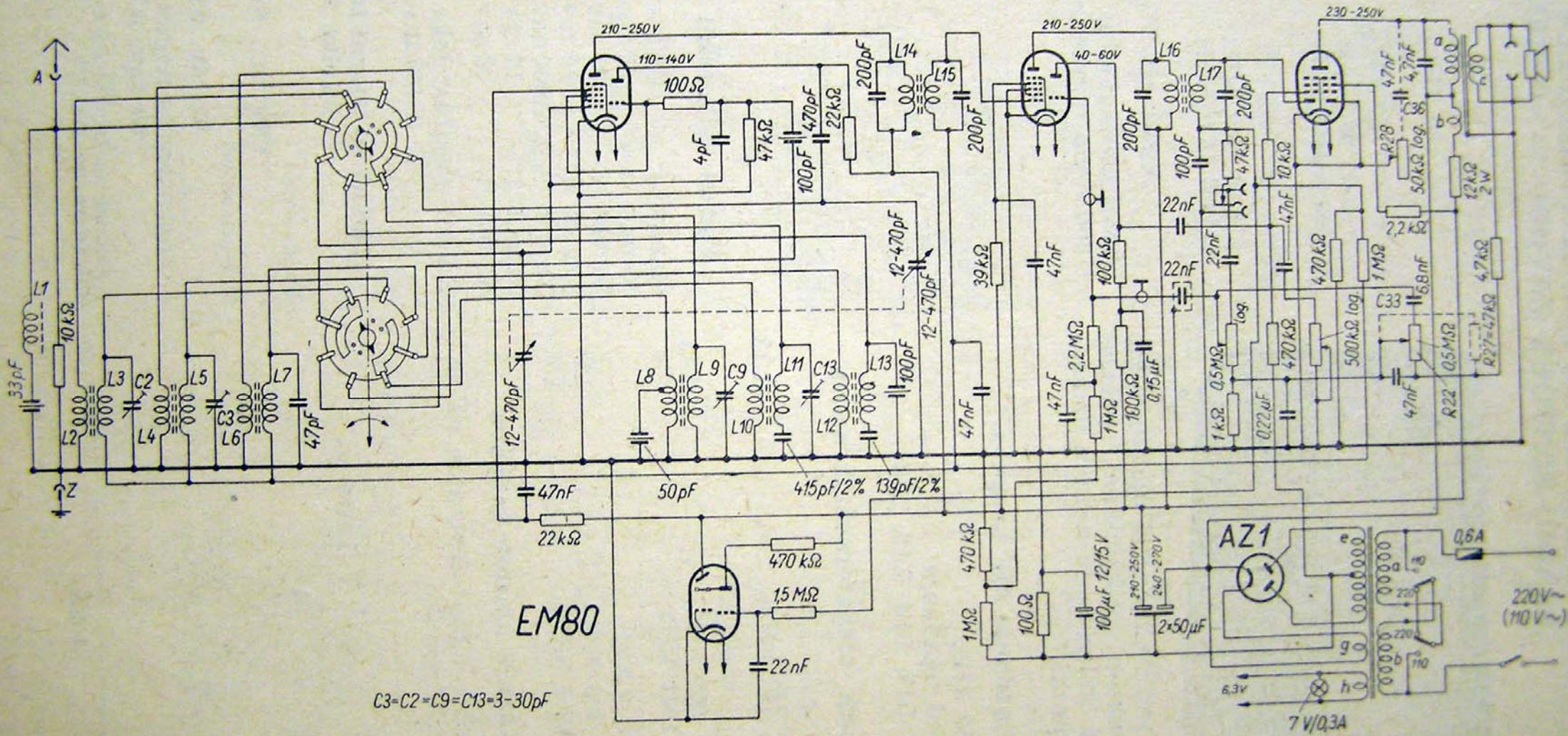


ECH 21

ECH 21

EBL 21



C3=C2=C9=C13=3-30pF

RR-430